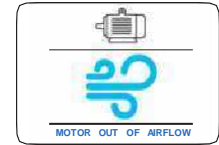


# KEF-M Kitchen Exhaust Fan



**Description :**

KEF-M fans can be connected to kitchen hoods to exhaust the air from cookers, grilles, fryers etc. It will exhaust the greasy air and keeps the kitchen area clean and odorless. Inspection hatch allows cleaning the fan and maintenance. Motor is located out of the airstream and is not effected by matters in the air.

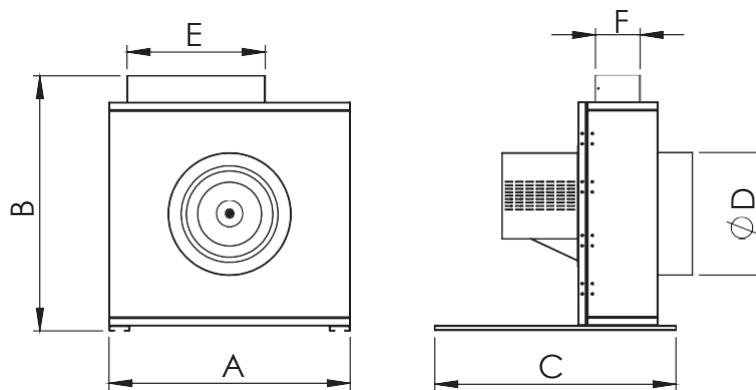
MOTOR PROTECTION CLASS	IP 55
MOTOR INSULATION CLASS	F CLASS
MOTOR EFFICIENCY CLASS	IE2-IE3
MOTOR BRAND	GAMAK-VOLT-WAT
MOTOR ENCLOSURE TYPE	TEFC
BODY MATERIAL	GALVANIZED SHEET METAL
BODY COATING	OPTIONAL
IMPELLER TYPE	BACKWARD CURVED
IMPELLER MATERIAL	ALUMINIUM SHEET METAL
DUTY CYCLE	IEC Duty Cycle-S1
WORKING AMBIENT TEMP	-20 - +50 °C
DIRECTIVE	IEC-60335-2-80, ISO 1940-1



## TECHNICAL SPECIFICATIONS AND DRAWING

MODEL	VOLTAGE (V)	FREQUENCY (Hz)	POWER (KW)	REV. (RPM)	FLOW RATE (m3/h)	SOUND PRESSURE dB(A) 3m	WEIGHT (KG)
KEF-M 315	380	50	0,25	1.469	1.600	53	32
KEF-M 355	380	50	0,37	1.471	2.300	55	34
KEF-M 400	380	50	0,55	1.478	3.300	58	38
KEF-M 450	380	50	0,75	1.454	5.000	50	49
KEF-M 500	380	50	1,1	1.462	7.000	63	62

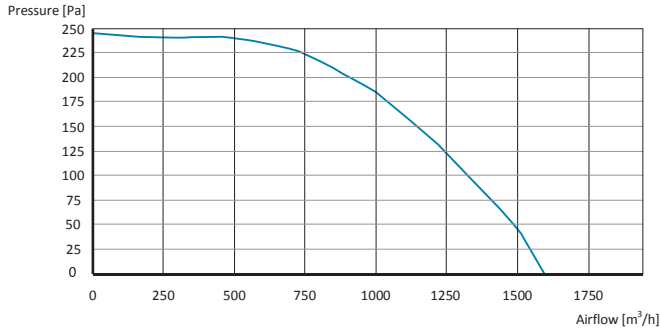
Values are for 0 Pa



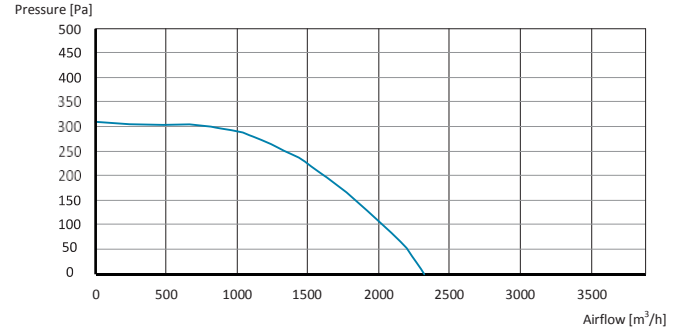
MODEL	A (mm)	B (mm)	C (mm)	D (mm)	E (mm)	F (mm)
KEF-M 315	650	690	700	315	300	110
KEF-M 355	700	740	700	355	400	130
KEF-M 400	750	790	700	400	400	150
KEF-M 450	800	840	700	450	400	170
KEF-M 500	850	890	700	500	440	190

# KEF-M Performance Curves

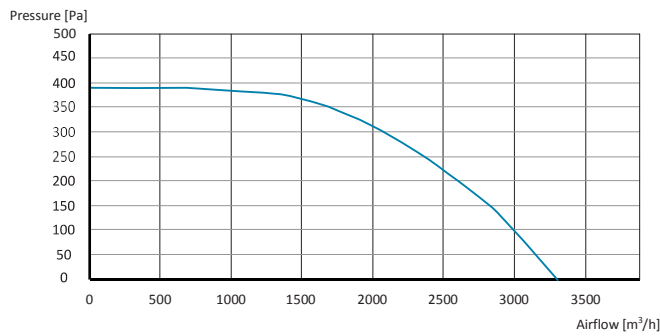
**KEF-M 315**



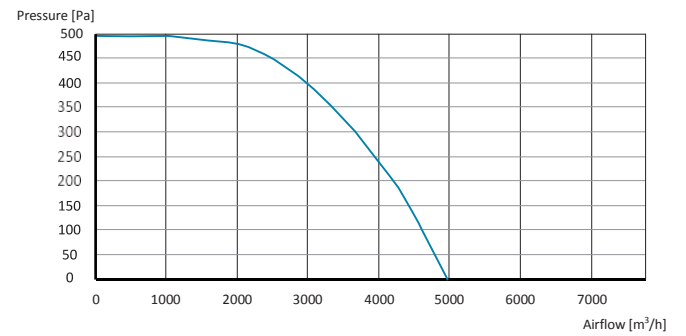
**KEF-M 355**



**KEF-M 400**



**KEF-M 450**



**KEF-M 500**

