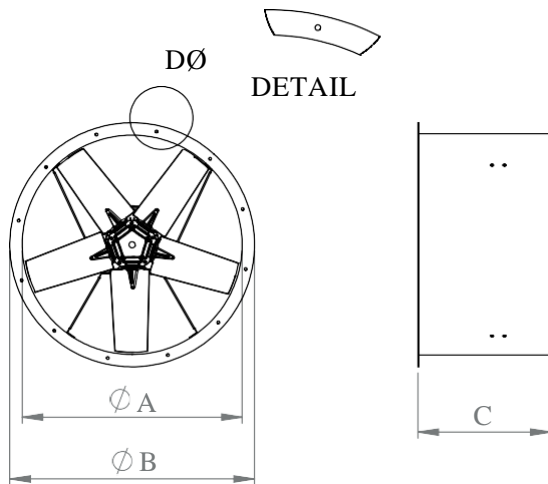


OPTIONS

- Electro-Static Powder Coating
- **Custom Fans For Specific Flow Rate and Pressure**
- 5, 8, 12, or 16 Blade Fan
- Aluminium or Plastic Blades
- System Automation
- Two-Speed Motor

DRAWING



MODEL	A (mm)	B (mm)	C (mm)	D (mm)	N
HAXI 400	400	480	320	11	8
HAXI 450	450	530	320	11	8
HAXI 500	500	580	320	11	8
HAXI 560	560	640	320	11	12
HAXI 630	630	710	420	11	12
HAXI 710	710	790	420	11	12
HAXI 800	800	880	420	11	16
HAXI 900	900	980	520	11	16
HAXI 1000	1000	1080	520	11	16
HAXI 1120	1120	1200	520	11	16