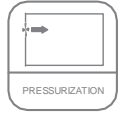




HASF fans with their aluminum injected bodies, forward-curved impeller and small size can be used in boilers. Using with HAXI fans it allows HAXI to be used in high-temperature for continuous use.

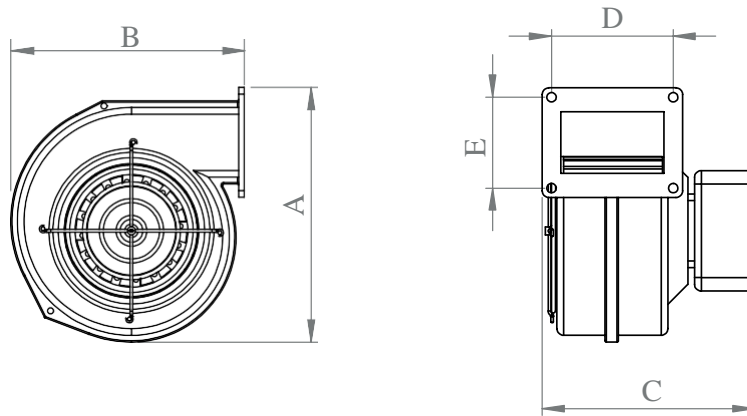


MOTOR INSULATION CLASS	F CLASS
MOTOR PROTECTION CLASS	IP 44
MOTOR EFFICIENCY CLASS	IE2-IE3
MOTOR ENCLOSURE TYPE	EXTERNAL ROTOR MOTOR
MOTOR BRAND	HAVLAN
BODY MATERIAL	ALUMINIUM
BODY COATING	OPTIONAL
IMPELLER MATERIAL	GALVANIZED SHEET METAL
DUTY CYCLE	IEC Duty Cycle-S1
WORKING AMBIENT TEMPERATURE	-20 - +50 °C
DIRECTIVE	IEC-60335-2-80, ISO 1940-1

MODEL	VOLTAGE (V)	FREQUENCY (Hz)	POWER (W)	REVOLUTION (rpm)	FLOW RATE (m³/h)	NOISE LEVEL (dB(A))	PRICE
HASF 120	230	50	84	2.450	275	55	
HASF 140	230	50	137	2.265	485	58	
HASF 160	230	50	193	2.100	600	61	

Values are for 0 Pa.

DRAWING



MODEL	A (mm)	B (mm)	C (mm)	D (mm)	E (mm)
HASF 120	190	175	160	90	70
HASF 140	260	225	145	115	105
HASF 160	260	225	145	115	105