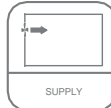
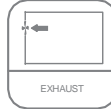


## HABSF Low Pressure Centrifugal Fan

Pressure: 400-1700 pa. Airflow: 1.500-12.000m<sup>3</sup>/h Backward curved impeller. Direct coupling or belt driven. Aspiration of clean or slightly dusty air. Furniture and polishing workshops. The industrial kitchen aspiration system. Aspiration systems.

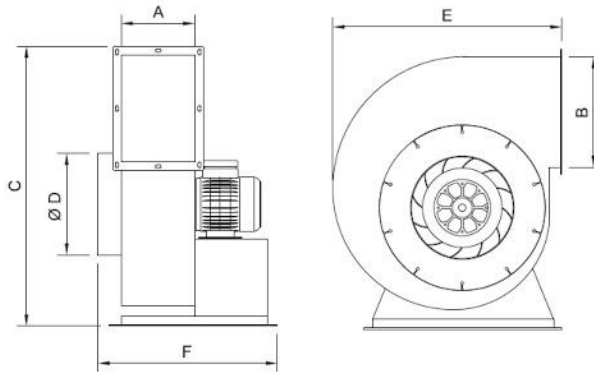


MOTOR INSULATION CLASS	F CLASS
MOTOR PROTECTION CLASS	IP 55
MOTOR EFFICIENCY CLASS	IE2-IE3
MOTOR ENCLOSURE TYPE	TEFC
MOTOR BRAND	GAMAK-VOLT-WATT-ELK
BODY MATERIAL	DKP SHEET METAL
BODY COATING	ELECTROSTATIC POWDER PAINT
IMPELLER MATERIAL	DKP SHEET METAL
DUTY CYCLE	IEC Duty Cycle-S1
WORKING AMBIENT TEMPERATURE	-20 - +50 °C
DIRECTIVE	IEC-60335-2-80, ISO 1940-1

MODEL	VOLTAGE (V)	FREQUENCY (Hz)	POWER (kW)	REVOLUTION (rpm)	FLOW RATE (m <sup>3</sup> /h)	PRICE
HABSF 15	230 or 380	50	0,37	1.500	1.500	
HABSF 25	230 or 380	50	0,75	1.500	2.500	
HABSF 35	230 or 380	50	1,1	1.500	4.500	
HABSF 45	230 or 380	50	1,5	1.500	6.500	
HABSF 60	230 or 380	50	2,2	1.500	7.000	
HABSF 70	230 or 380	50	4	1.500	7.500	
HABSF 90	380	50	5,5	1.500	9.000	
HABSF 120	380	50	7,5	1.500	12.000	

Values are for 0 Pa.

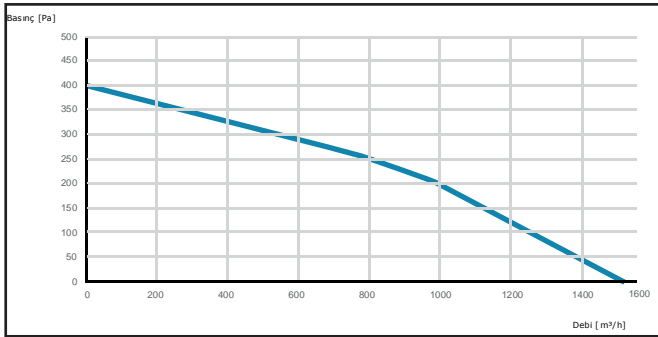
## DRAWING



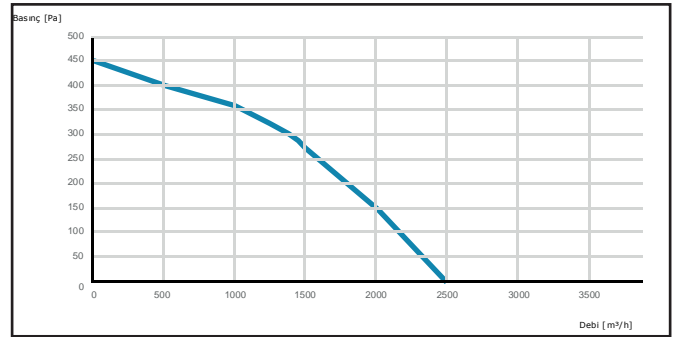
MODEL	A (mm)	B (mm)	C (mm)	D Ø (mm)	E (mm)	F (mm)
HABSF 15	200	200	630	250	505	550
HABSF 25	200	280	700	240	575	520
HABSF 35	210	280	700	260	575	555
HABSF 45	235	325	825	300	650	610
HABSF 60	245	325	890	320	690	620
HABSF 70	250	325	890	320	690	640
HABSF 90	280	450	1050	350	830	735
HABSF 120	380	545	1200	420	915	890

# PERFORMANCE CURVES

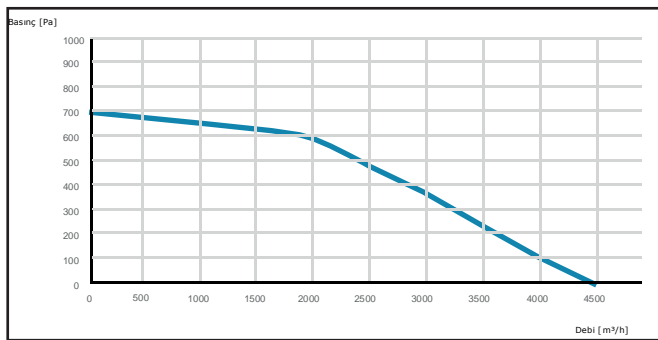
## HABSF 15



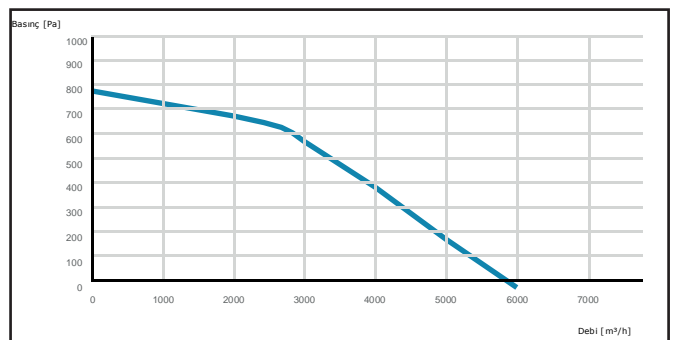
## HABSF 25



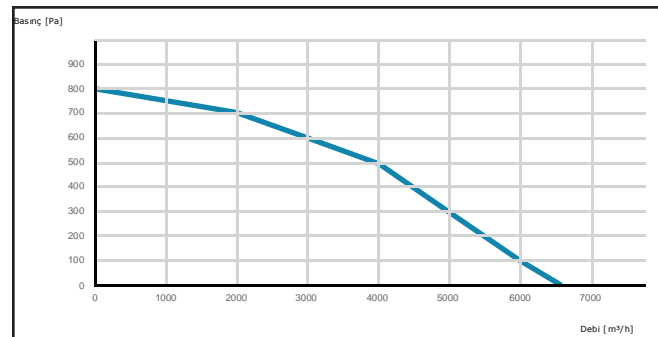
## HABSF 35



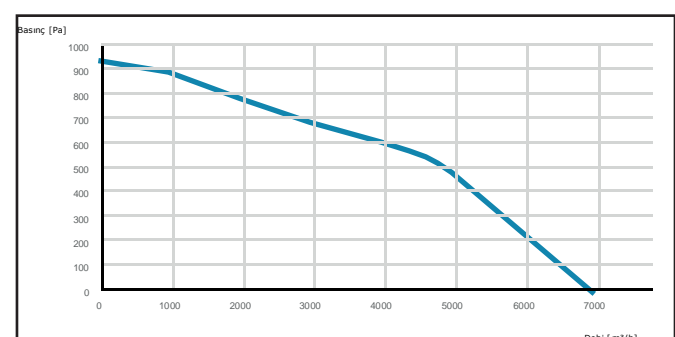
## HABSF 45



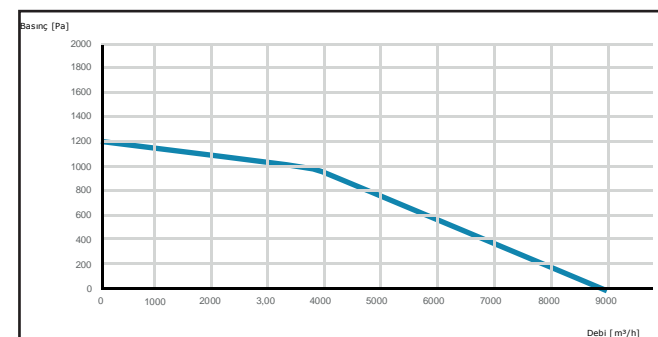
## HABSF 60



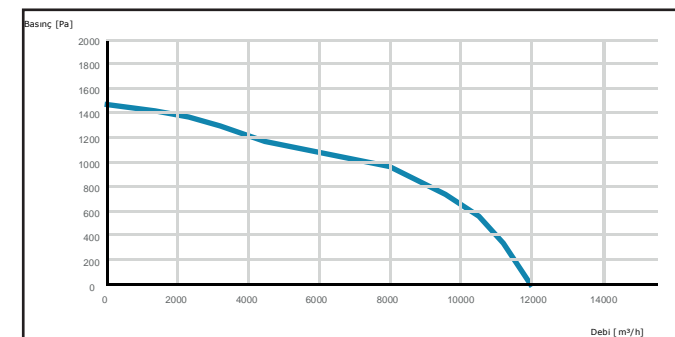
## HABSF 70



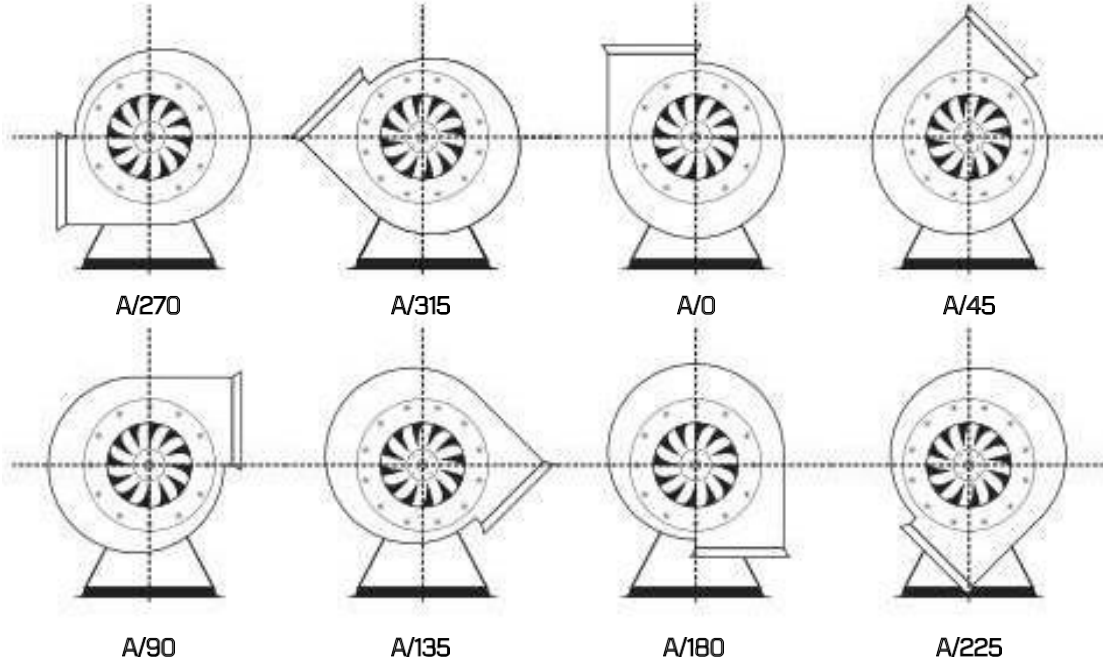
## HABSF 90



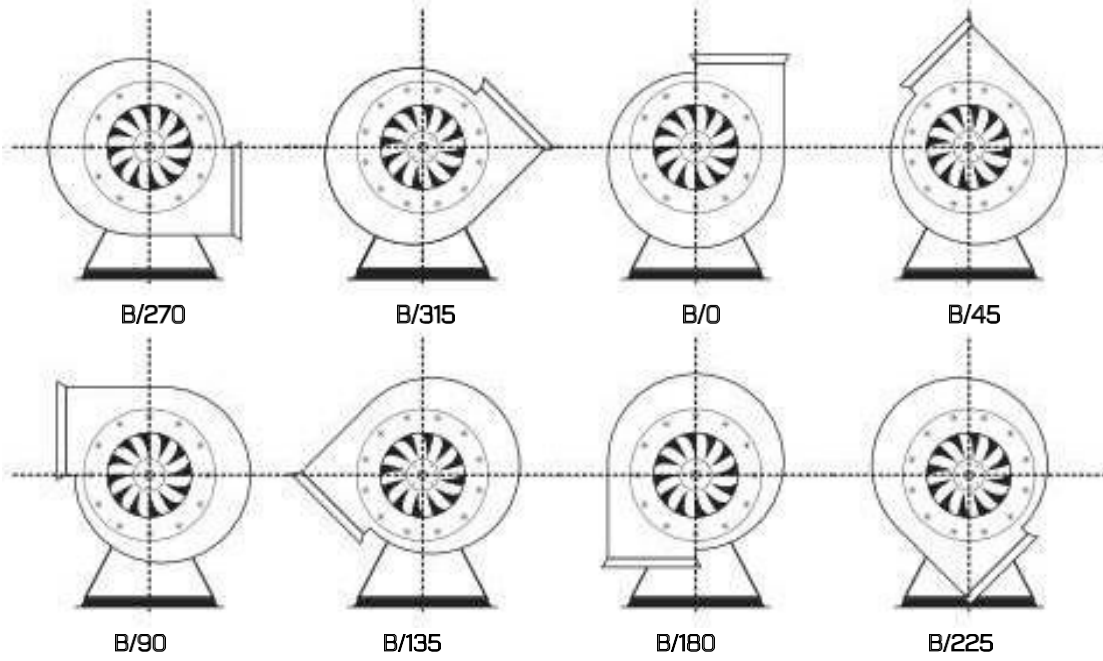
## HABSF 120



LEFT OUT (A)



RIGHT OUT (B)



FROM THE VIEW OF INLET